

3 YEAR WARRANTY



MRV Wiper Motor

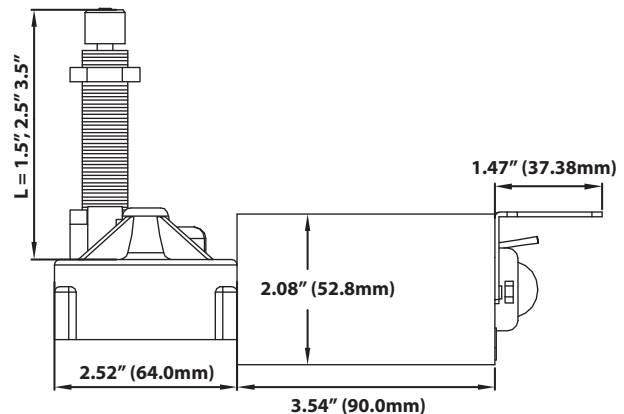
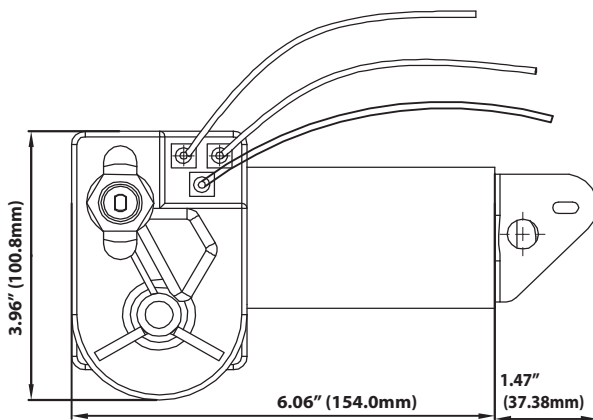
- Easily powers 22" x 22" deluxe arm/blade combinations, or a 20" x 20" premier arm/blade combination at sweep sets of 80° or less
- Factory pre-set sweep of 80° or 110° adjustable from 40° to 110° in 10° increments
- .625" diameter shaft (16 mm)
- Available in three (3) shaft lengths: 1.5", 2.5" and 3.5" (includes .5" length of knurled arm fitting)
- Corrosion-resistant casing
- Heavy-duty motor with right angle drive
- Two-speed motor, can be operated as one speed
- Solid brass knurled drive nut with brass and stainless steel drive shaft
- Adjustable right or left self parking, coast to park
- Retail version includes 5 amp fuse and holder
- Stainless steel fasteners and mounting bracket
- Use with three-position switch (not included)
- Compact size – 7.625" L x 4" W x 2" D
- Stall torque: 109 in-lbs (125 kgf/cm: 12.3 Nm)
- Stall current: 11.5–13.0 amps
- No load current: 0.5–1.2 amps

	Voltage	Sweep	Item#	OEM #
1.5" Shaft	12V	80°	34001	38001
		110°	34011	38011
2.5" Shaft	12V	80°	34000	38000
		110°	34210	—
3.5" Shaft	12V	80°	34005	38005
		110°	34015	—

Related Products



Intermittent Wiper Motor Controller
page 71



MRV Wiper Motor Cover

- Constructed of white ABS plastic
- Easily installed

Part # 33025 White
OEM # 33125 White
OEM # 33126 Black